

APPLICATIONS

Full-range, multi-use loudspeaker for professional use. Suitable for many applications as live music, discos, clubs, disco-pub, multimedia hall, conference, monitor DJ.

AUDIO

High SPL for a powerful and pure listening in any environment.

Low distortion and neutral and natural sound thanks to the accurate electro-acoustical design.

COMPONENTS

Thanks to the co-operation of many important manufacturers AudioFactory offers state of the art technical components.

10" loudspeaker, with 2" coil.

1" tweeter with elliptical horn. Dispersion 90° x 60° adjustable orizontal or vertical.

Passive filters with a simplified circuit and low tolerance components.

2 built-in Speakon connectors.

DESIGN

The multi-angled cabinet and its compact dimensions allow a comfortable mounting in any environment: the ideal placing will be easily found both for fixed or temporary installations.

CONSTRUCTION

The cabinet is constructed from 15 mm multi-laminate birch plywood with reinforcements and joints on the junctions.

A2 inox steel screws.

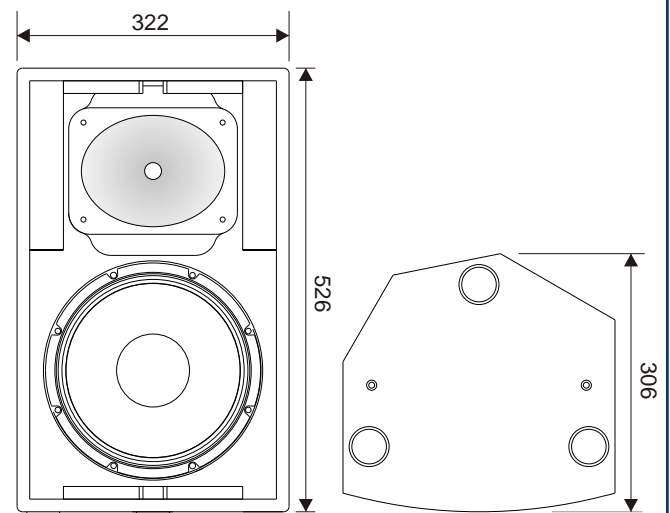
Comfortable built-in handle

9 threaded inserts for easy hanging up and accessories applications.

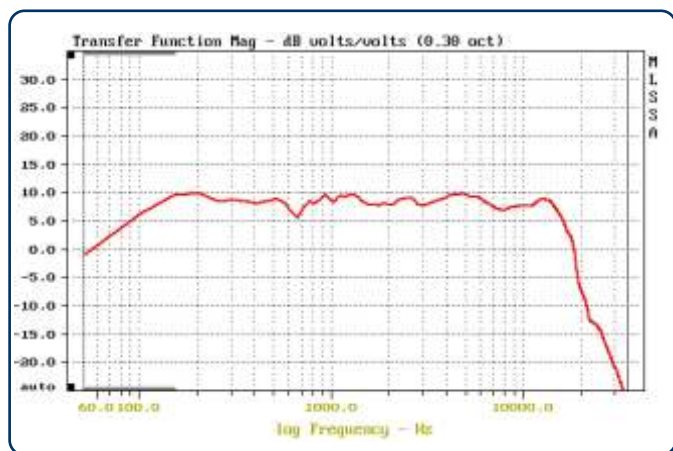
Grille of 10/10 galvanized iron sheet EPX painted with reinforcement fold

Only 11 Kg weight

Rated Power:	350W
Sensitivity:	98 db
Freq Response:	70 / 18000 Hz (-3db)
Impedance:	8 Ohm
Weight:	11 Kg



Basic Line FR110



FINISH

AudioFactory FR110 is available with a structural water based black paint, half matt, scratchproof, which, if needed, can also be painted over with a different water based paint; after that it is possible to restore it to its original state.

Other colors available on request.



Rotable horn for orizontal or vertical use

Peak Power	700 W
Maximum SPL	122 db
Driver HF	1"; 1"3/4 coil
Woofers LF	10"; 2" coil
Crossover	2100 Hz passive
Dispersion	90° x 60° elliptical (rotable horn)
Recommended amplifier	900W into 4 ohm
Enclosure	Birch plywood 15 mm
Finish	Textured black matt
Grille	Powder Coated Steel 1mm
Fittings	9 threaded inserts; standard mounting pole
Connectors	2 NL4 Speakon
Dimensions	526 x 322 x 306 mm

All AudioFactory products are designed and made in Italy

audiofactory

Via dei Piani di Monte Savello, 48/d - 00040 Pavona (RM) ITALY
tel: +3906 9316 2163 / 06 9724 9614 - fax: +3906 9724 9615
mail: info@audiofactory.it - web: www.audiofactory.it