

APPLICATIONS

Full-range, high sound pressure loudspeaker for professional installations. Suitable as main PA, side-fill for live music concerts, in theatre, on television or at conferences and events.

AUDIO

High SPL for a powerful and pure listening in any environment.

Low distortion and strong directivity prevents excessive feedback.

COMPONENTS

Thanks to the co-operation of many important manufacturers AudioFactory offers state of the art technical components.

15" loudspeaker with Neodymium magnet and 3" coil.

The cone is treated with a water-proof processing in order to work in the toughest conditions even outdoor.

1,4" neodymium compression driver and 3" coil.

Reinforced aluminium horn, with constant 60° x 40° directivity and "quadratic tractrix" profile; this specific shape grants a plain reproduction without any alteration at high range; the distortion is reduced because of the minimum air load in the diaphragm.

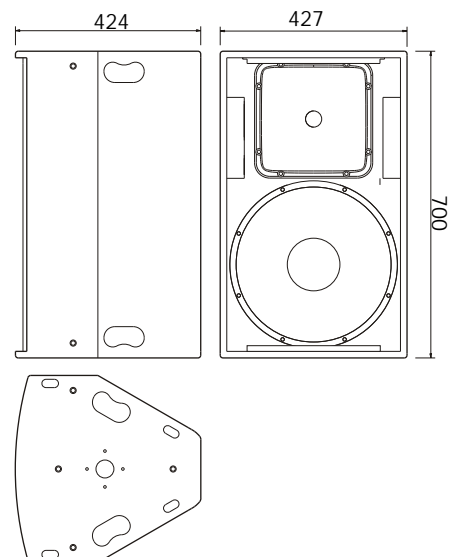
Passive filters with a simplified circuit and low tolerance components.

2 built-in Speakon connectors.

DESIGN

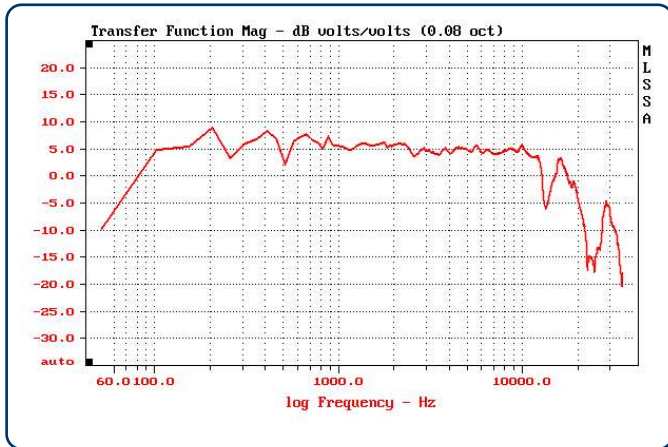
The cabinet is simple, elegant and can be easily installed in any place and situation; the trapezoidal base with 30° angles allows perfect horizontal pairing.

Rated Power:	500W
Sensitivity:	98 db
Freq Response:	45/18000 Hz (-3db)
Impedance:	8 Ohm
Weight:	26.5 Kg



High Performance Series

TRX1515



CONSTRUCTION

The cabinet is constructed from 15 mm multi-laminate birch plywood with reinforcements and joints on the junctions.

A2 inox steel screws.

Threaded inserts for easy hanging up and accessories applications; built-in plate for standard 35 mm mounting pole.

Grille of 10/10 galvanized iron sheet EPX painted with reinforcement fold

4 comfortable ergonomic handles for easy carrying and movement.

Top and bottom are equipped with 8 anti-slip rubber inserts.

Only 26,5 Kg weight.

FINISH

AudioFactory TRX1515 is available with a structural water based black paint, half matt, scratchproof, which, if needed, can also be painted over with a different water based paint; after that it is possible to restore it to its original state.

The particular texture of the paint and the technique of its application protect this product against external factors, so the original acoustic, mechanical and design features of AudioFactory devices remain unchanged through time.



Peak Power	1000 W
Maximum SPL	125 db
Driver HF	1.4" neodymium ; 3" coil
Woofers LF	15" neodymium; 3" coil
Crossover	900 Hz active / passive
Dispersion	60° x 40° constant directivity
Recommended amplifier	900W into 4 ohm
Enclosure	laminated birch plywood 15 mm
Finish	Textured black matt
Grille	Powder Coated Steel 1mm
Fittings	14 threaded inserts; standard mounting pole
Connectors	2 NL4 Speakon
Dimensions	427 x 701 x 243 mm

All AudioFactory products are designed and made in Italy

audiofactory

Via dei Piani di Monte Savello, 48/d - 00040 Pavona (RM) ITALY
 tel: +3906 9316 2163 / 06 9724 9614 - fax: +3906 9724 9615
 mail: info@audiofactory.it - web: www.audiofactory.it